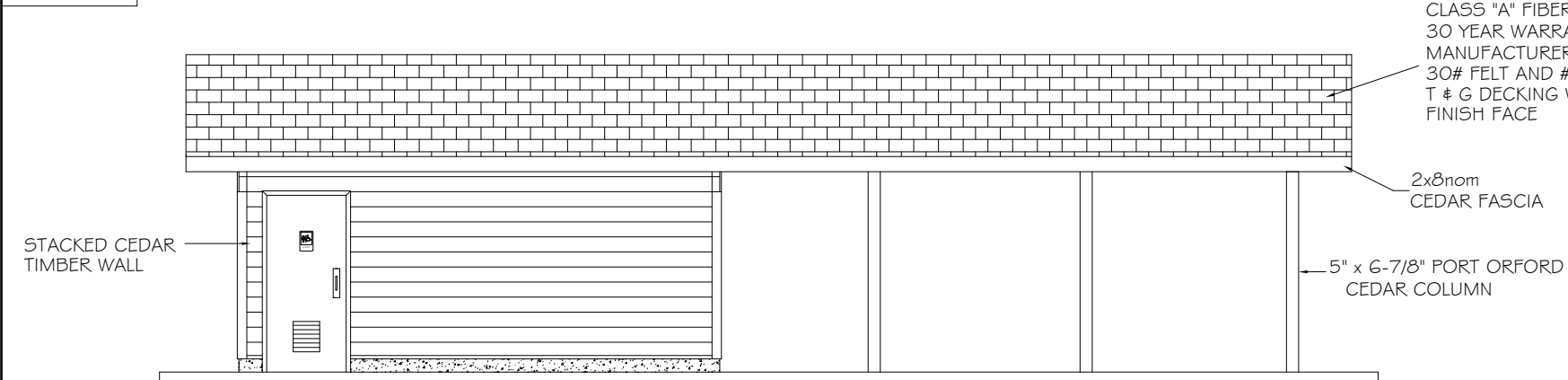
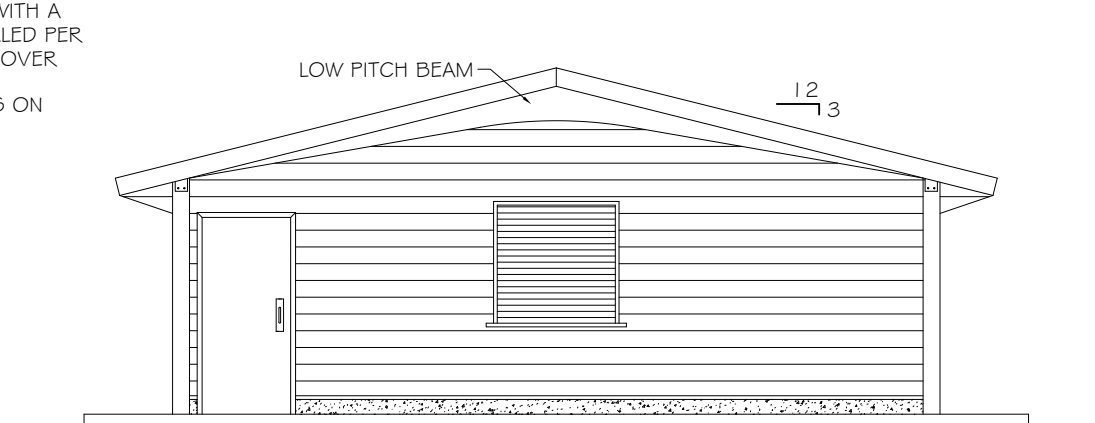


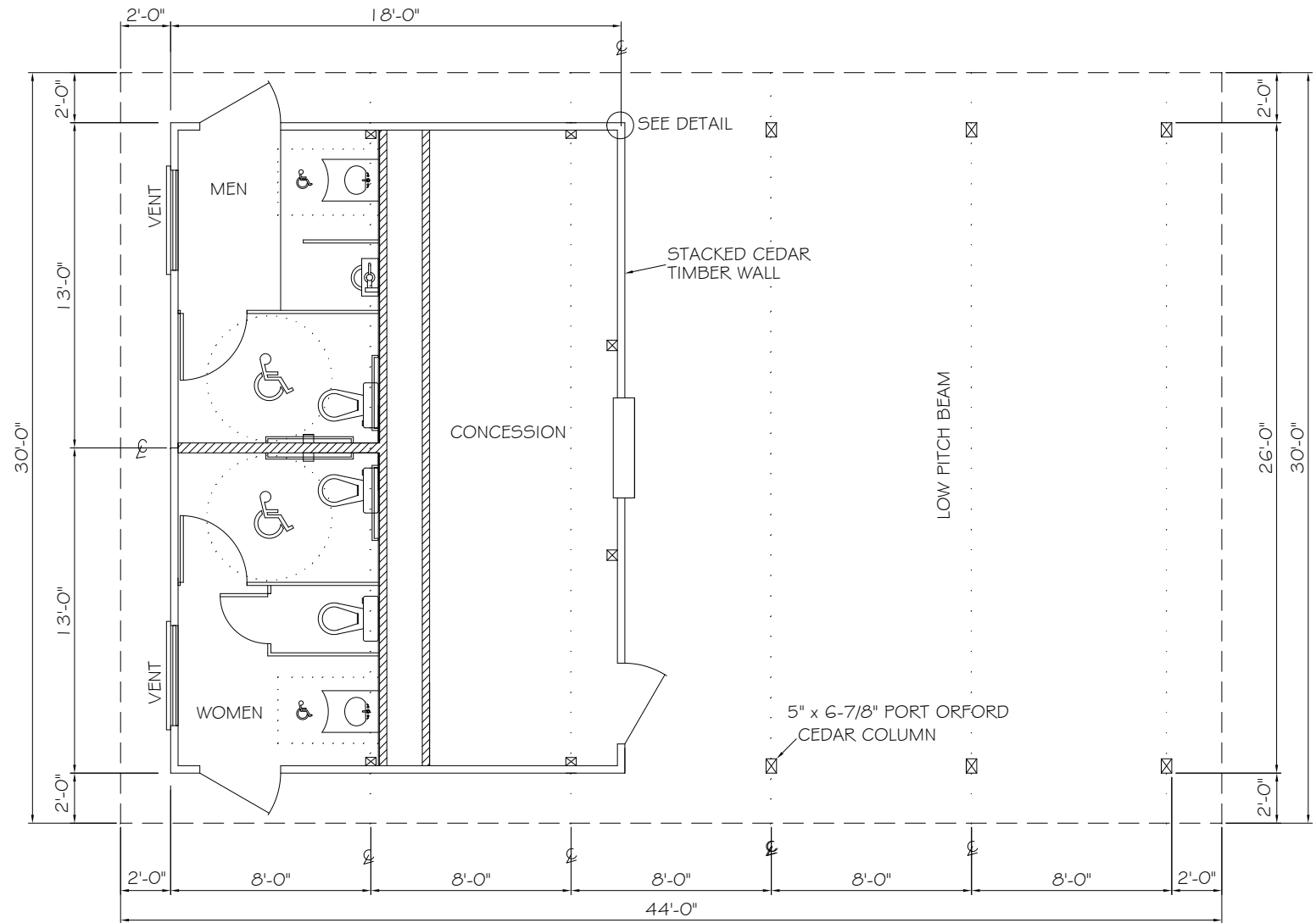
SCALE: N/A



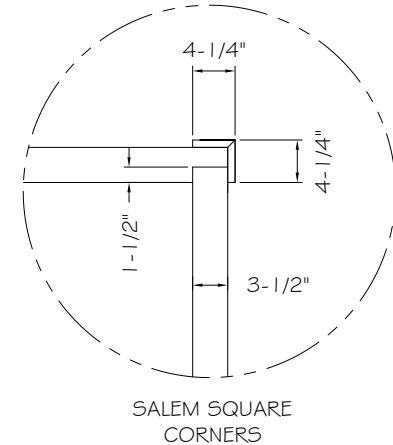
FRONT ELEVATION



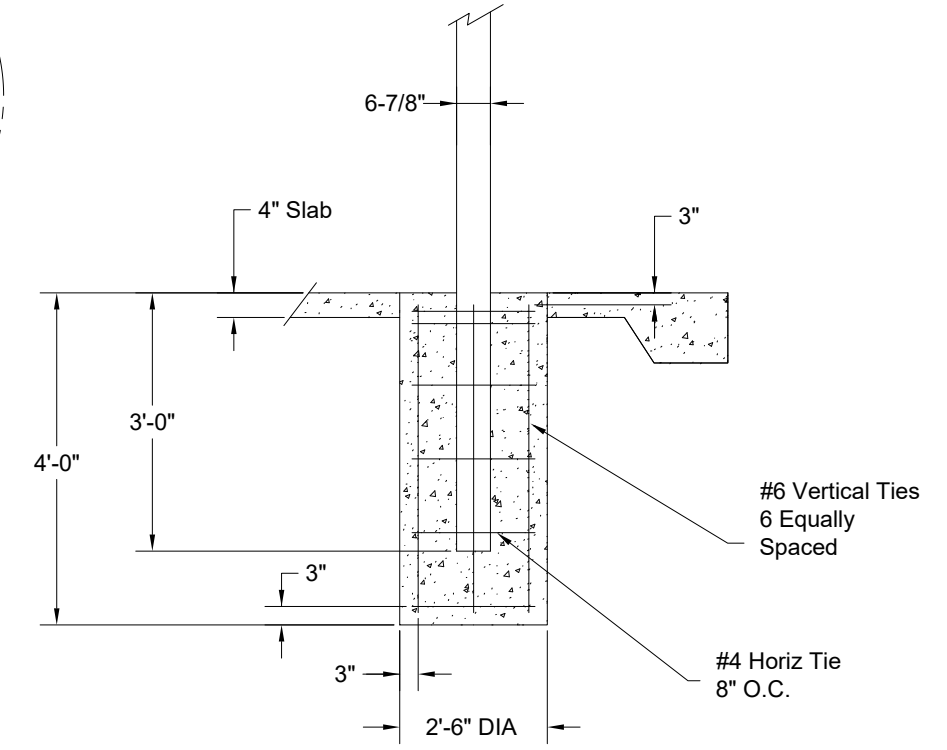
RIGHT SIDE ELEVATION



FLOOR PLAN

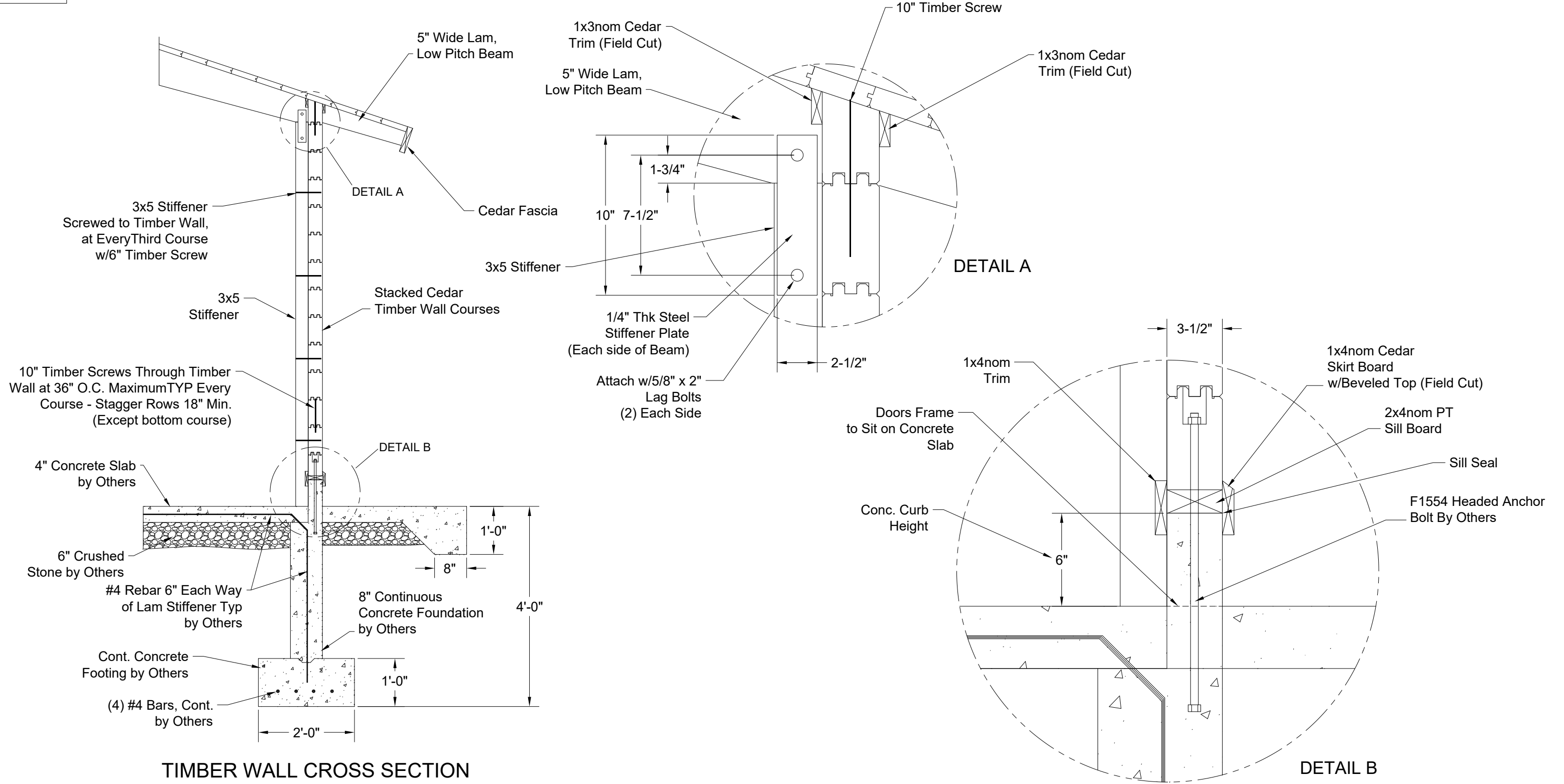


SALEM SQUARE CORNERS



Column/Footing Detail
Final Size TBD
Concrete Pier By Others

SCALE: N/A



PRELIMINARY
NOT FOR CONSTRUCTION

© Copyright 2018 these drawings are the intellectual property of C.F.P. CD. and shall not be copied or disclosed to any unauthorized parties in part or its entirety without our written permission, and they shall not be used for construction unless approved by a C.F.P. Representative.

MODEL NUMBER:	PAC3	SHOWN WITH STANDARD OPTIONS	REVISION DATES	DRAWN BY:	DATE:
DESCRIPTION:	30x44 PAC 3 Shelter		REV:	PAC-STN	2-4-19
Possible Options:	<input type="checkbox"/> 29ga METAL ROOF <input type="checkbox"/> STANDING SEAM ROOF <input type="checkbox"/> CEDAR SHINGLES	<input type="checkbox"/> METAL BASE SHOES <input type="checkbox"/> STEEL COLUMNS <input type="checkbox"/> CUSTOM ROOF PITCH	<input type="checkbox"/> LIGHTNING PROTECTION <input type="checkbox"/> 2 TIER ROOF <input type="checkbox"/> CUPOLA	REV:	SHEET:
					2 OF 2