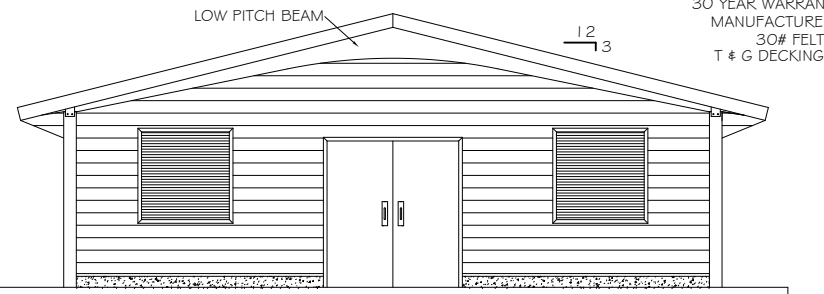
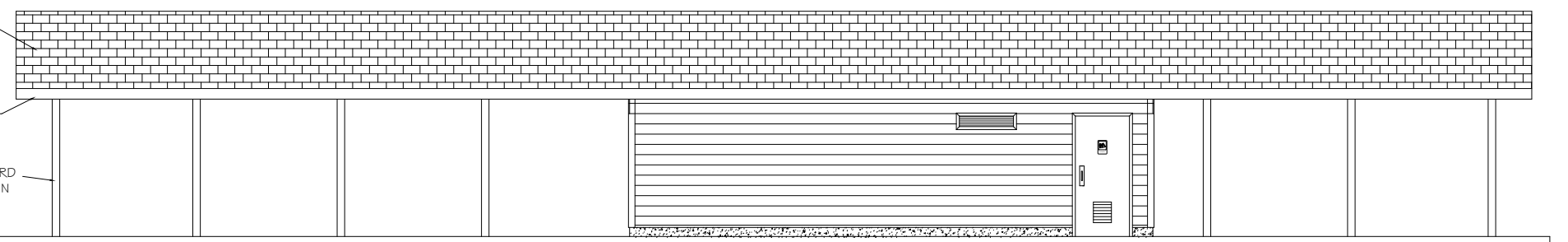


SCALE: N/A

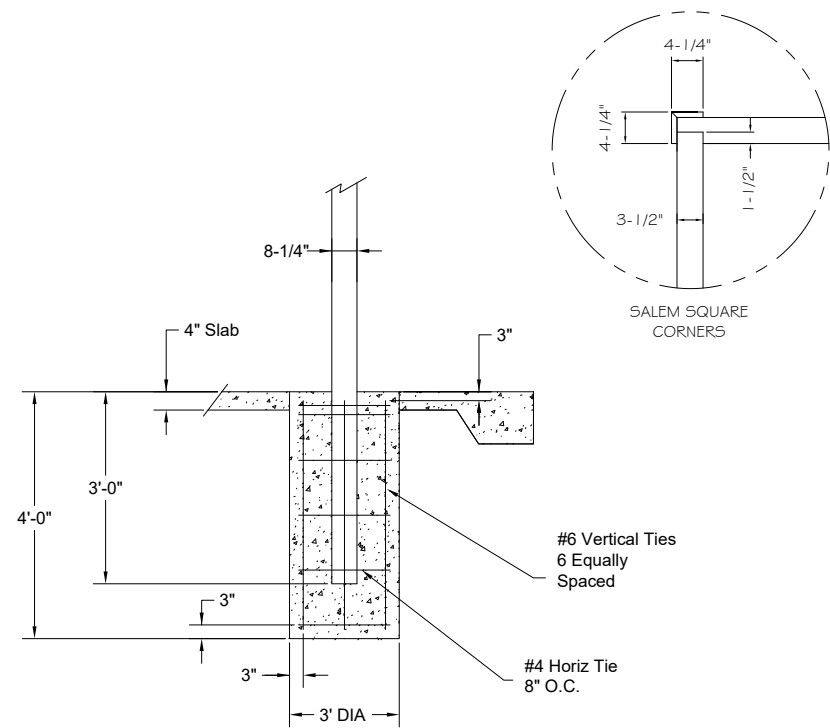


LEFT SIDE ELEVATION

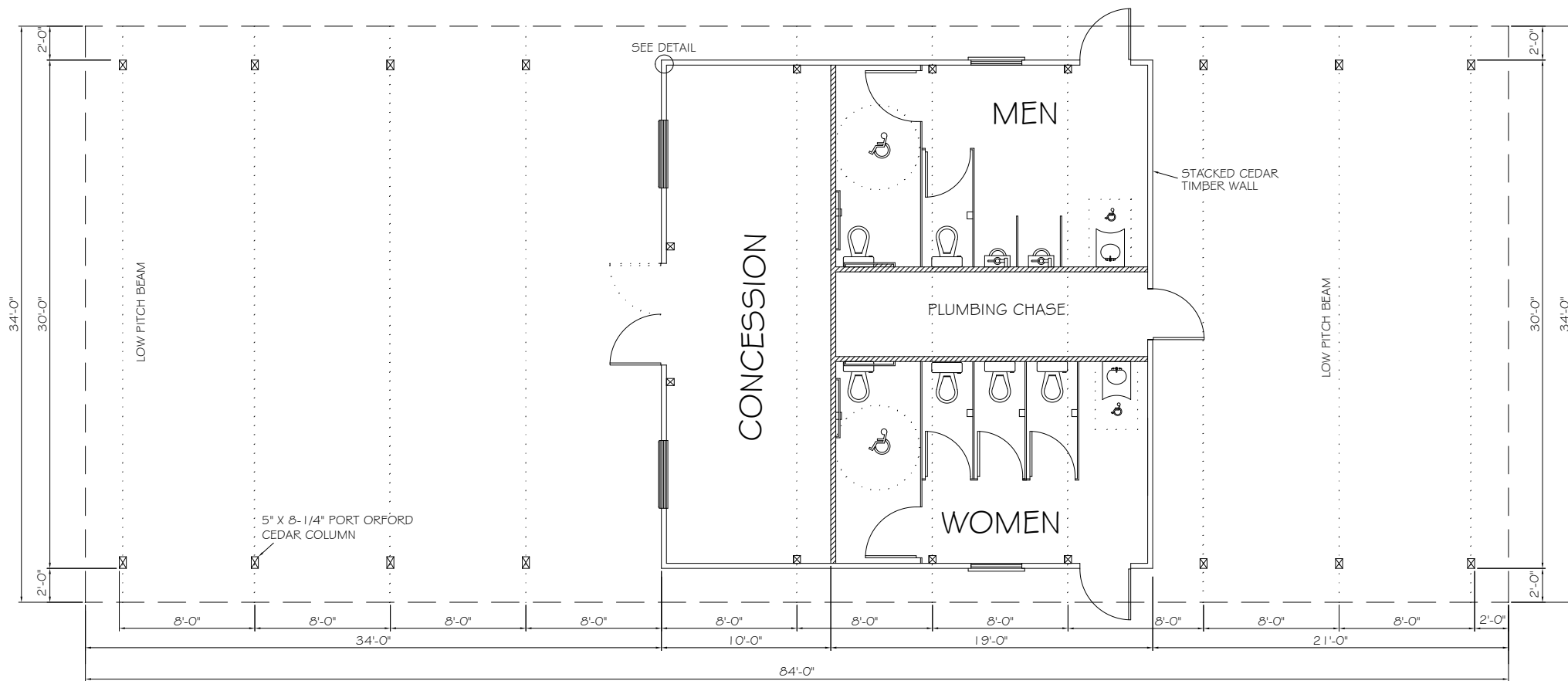
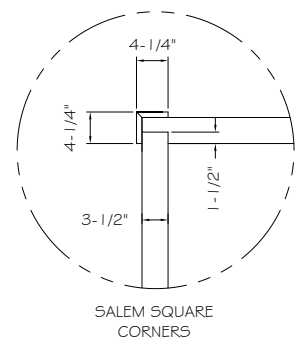
CLASS "A" FIBERGLASS SHINGLES WITH A 30 YEAR WARRANTY, TO BE INSTALLED PER MANUFACTURER'S INSTRUCTIONS, OVER 30# FELT AND #1 2" X 6" S.Y. PINE T & G DECKING WITH VEE GROOVES ON FINISH FACE



FRONT ELEVATION

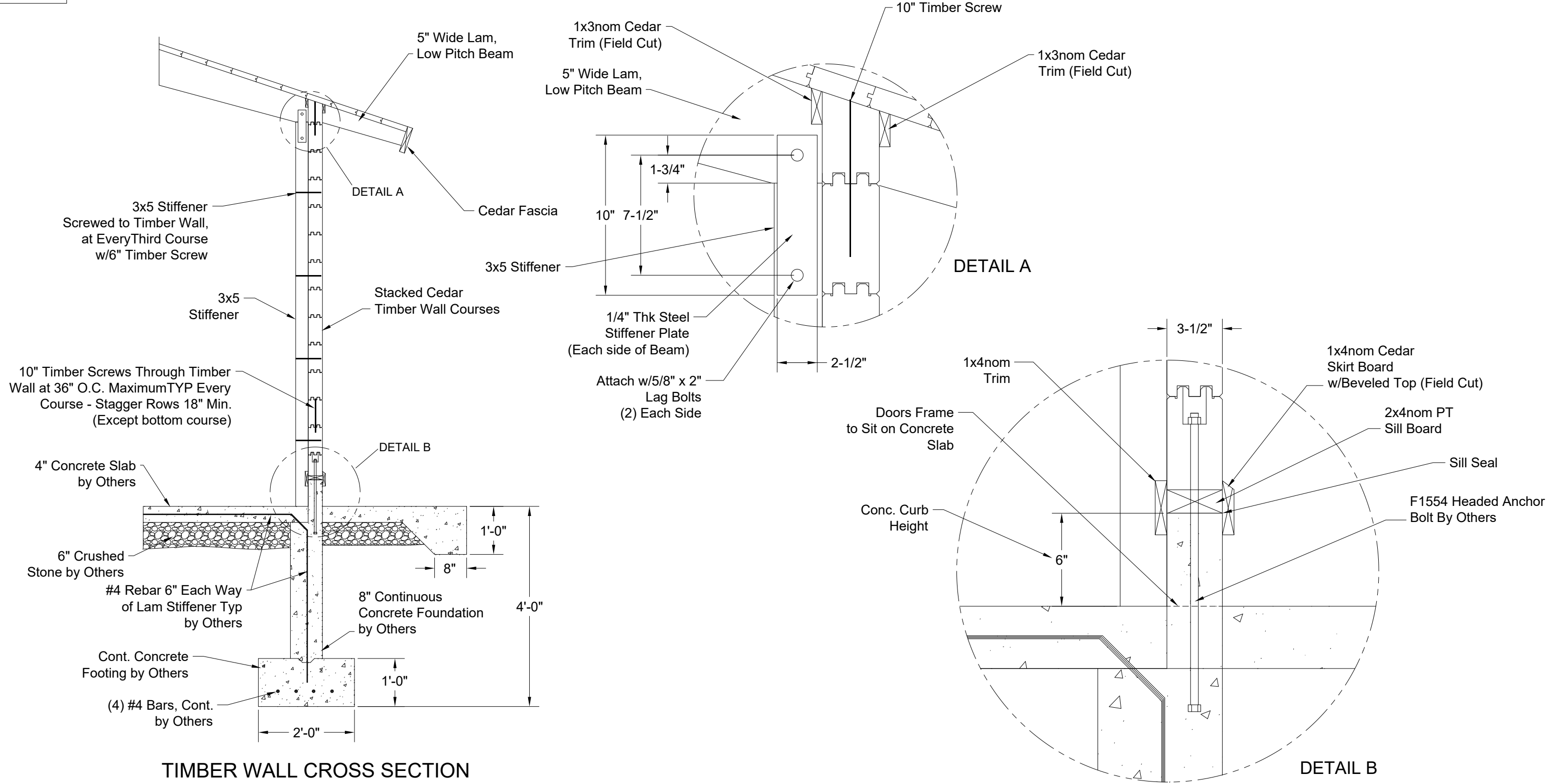


Column/Footing Detail
Final Size TBD
Concrete Pier By Others



FLOOR PLAN

SCALE: N/A



TIMBER WALL CROSS SECTION

DETAIL B

PRELIMINARY
NOT FOR CONSTRUCTION

© Copyright 2018 these drawings are the intellectual property of C.F.P. CD. and shall not be copied or disclosed to any unauthorized parties in part or its entirety without our written permission, and they shall not be used for construction unless approved by a C.F.P. Representative.

MODEL NUMBER:	PAC10	SHOWN WITH STANDARD OPTIONS	REVISION DATES	DRAWN BY:	DATE:
DESCRIPTION:	34x84 PAC 10 Shelter		REV:	PAC-STN	2-4-19
Possible Options:	<input type="checkbox"/> 29ga METAL ROOF <input type="checkbox"/> STANDING SEAM ROOF <input type="checkbox"/> CEDAR SHINGLES	<input type="checkbox"/> METAL BASE SHOES <input type="checkbox"/> STEEL COLUMNS <input type="checkbox"/> CUSTOM ROOF PITCH	<input type="checkbox"/> LIGHTNING PROTECTION <input type="checkbox"/> 2 TIER ROOF <input type="checkbox"/> CUPOLA	REV:	SHEET:
					2 OF 2