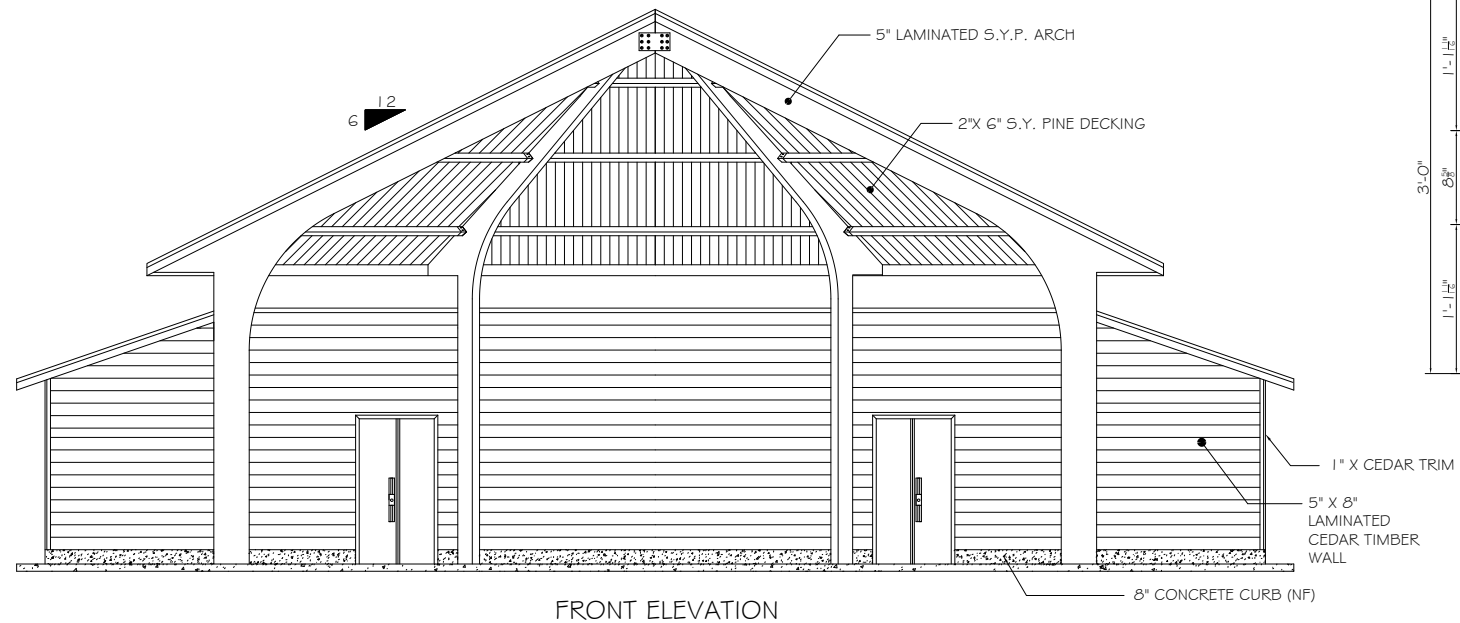
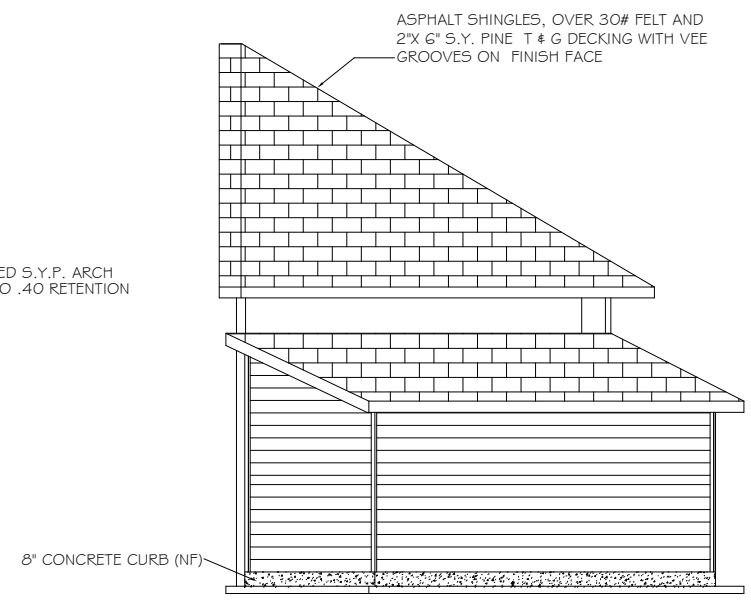
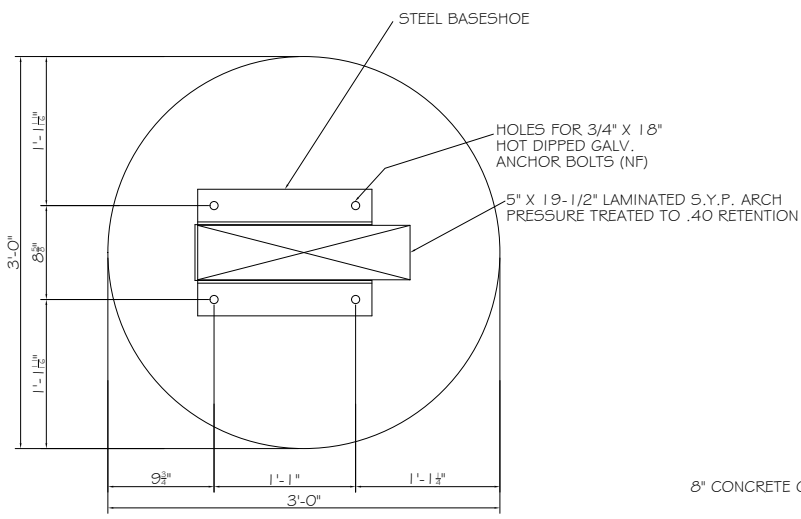


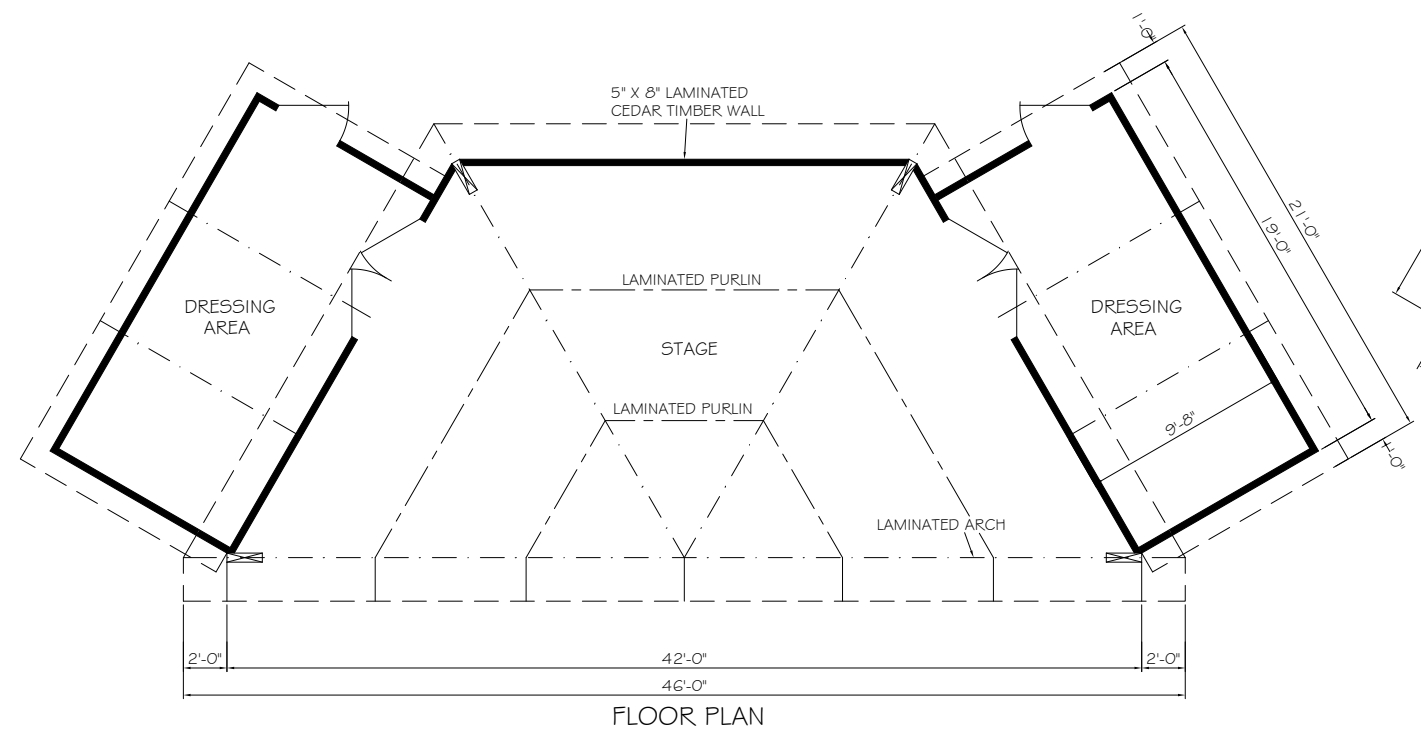
SCALE: NTS



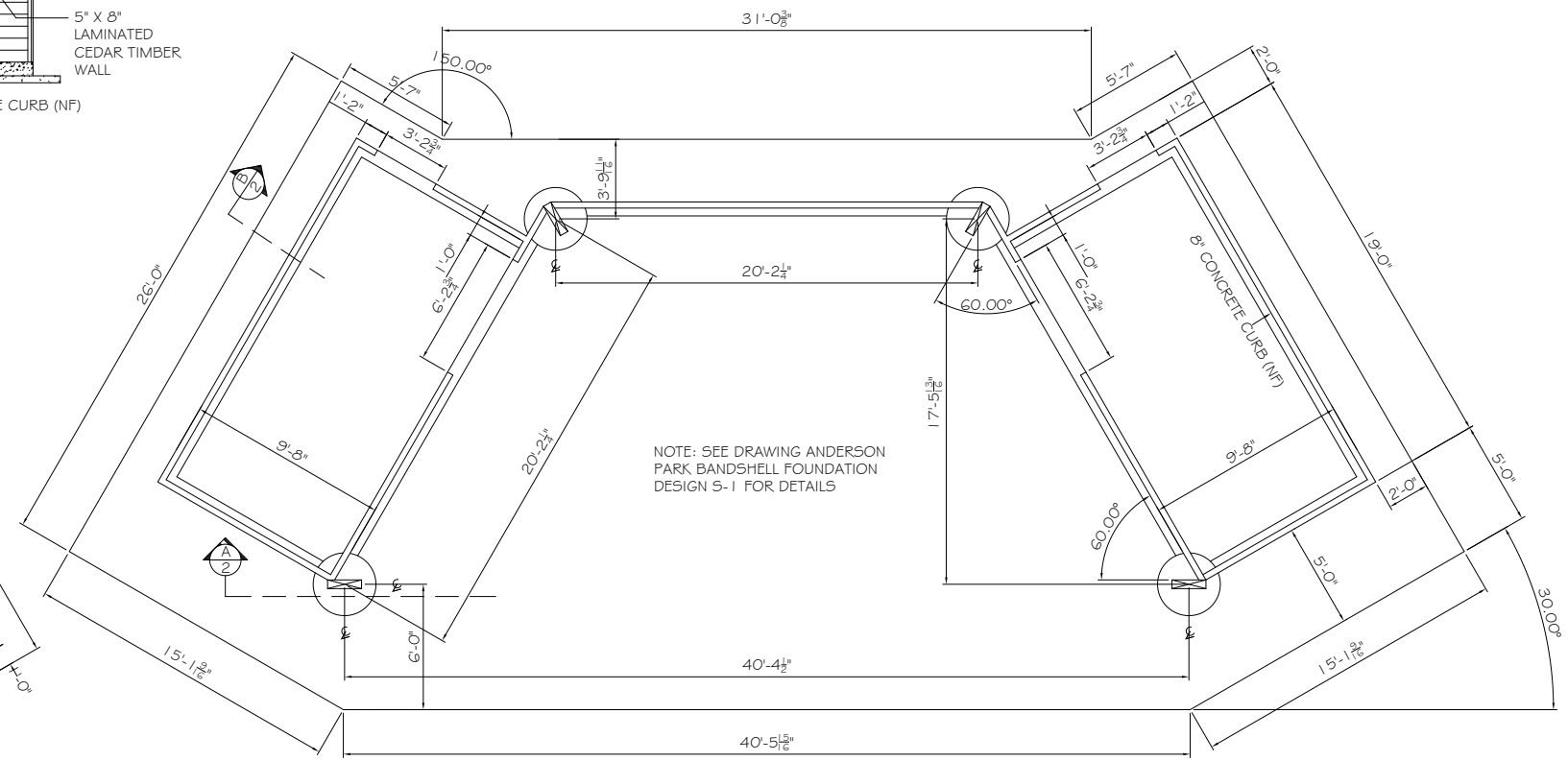
FRONT ELEVATION




RIGHT SIDE ELEVATION



FLOOR PLAN



FOUNDATION PLAN


 P.O. BOX 145  
 WEST OLIVE, MI 49460  
 800-552-9495  
 WWW.CEDARFORESTPRODUCTS.COM

PRELIMINARY  
 NOT FOR CONSTRUCTION

© Copyright 2018 these drawings are the intellectual property of C.F.P. CD. and shall not be copied or disclosed to any unauthorized parties in part or its entirety without our written permission, and they shall not be used for construction unless approved by a C.F.P. Representative.

MODEL NUMBER:	BAND3	SHOWN WITH STANDARD OPTIONS	REVISION DATES	DRAWN BY:	DATE:
DESCRIPTION:	Band 3 - Standard Shelter		REV:	JES-585A	11-14-18
Possible Options:	<input type="checkbox"/> 29ga METAL ROOF <input type="checkbox"/> STANDING SEAM ROOF <input type="checkbox"/> CEDAR SHINGLES	<input type="checkbox"/> METAL BASE SHOES <input type="checkbox"/> STEEL COLUMNS <input type="checkbox"/> CUSTOM ROOF PITCH	<input type="checkbox"/> LIGHTNING PROTECTION <input type="checkbox"/> 2 TIER ROOF <input type="checkbox"/> CUPOLA	REV:	SHEET:
			REV:		1 OF 1