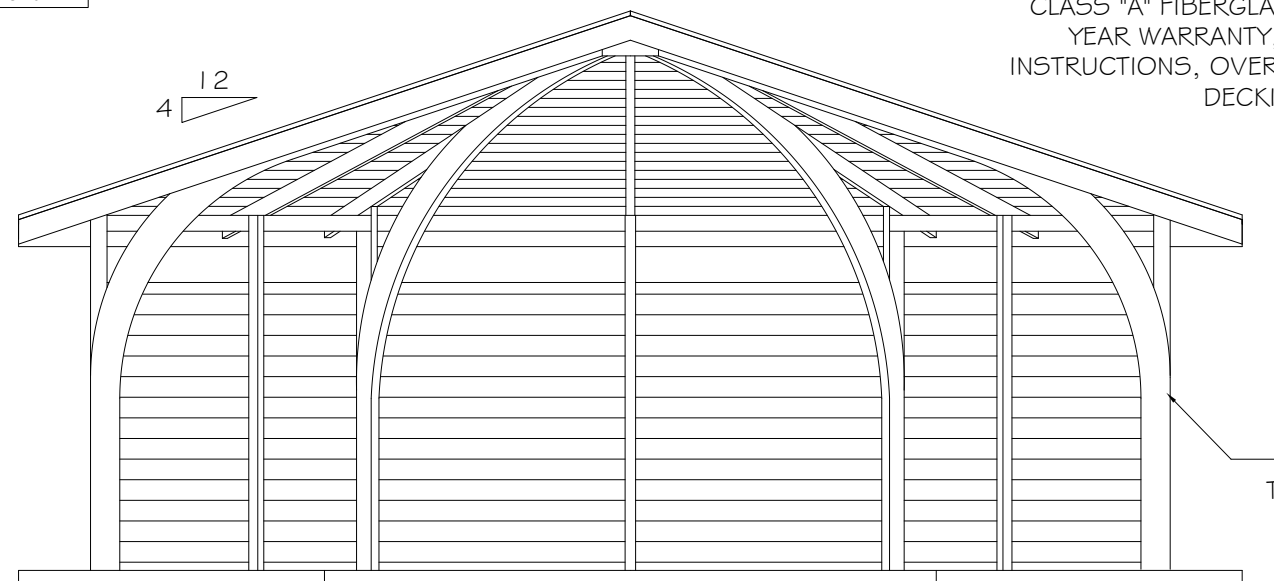
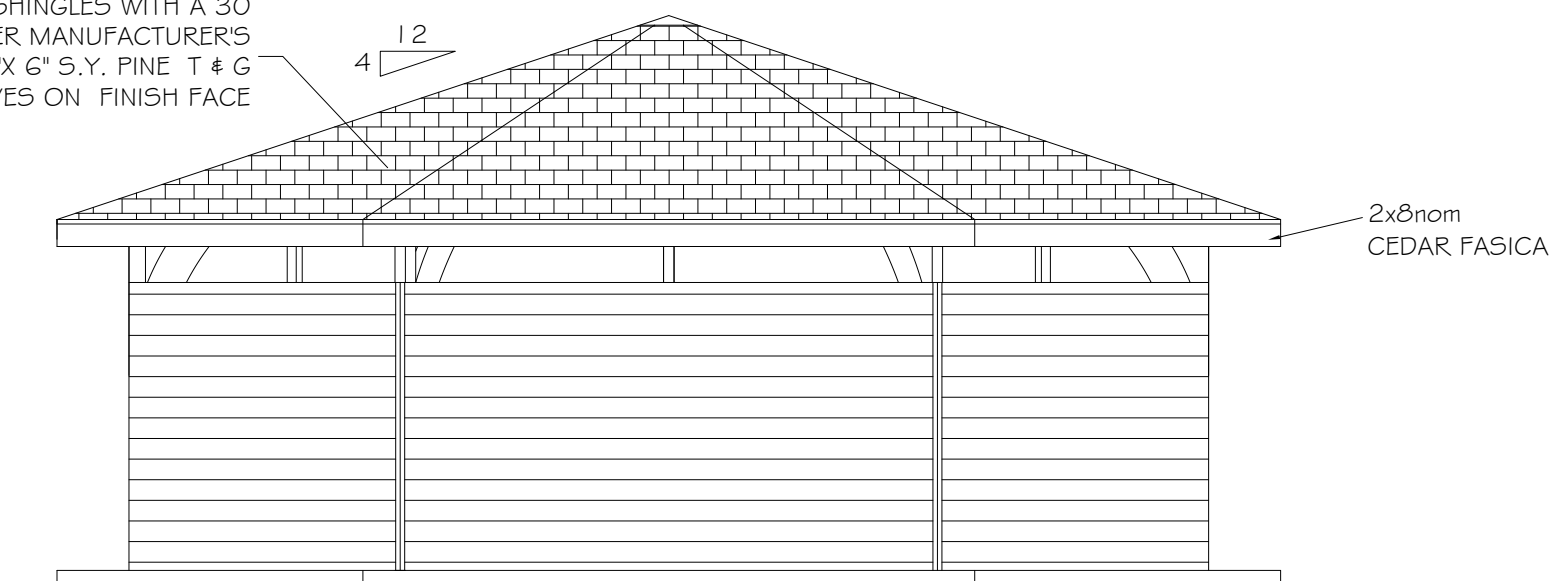


SCALE: 3/16" - 1'

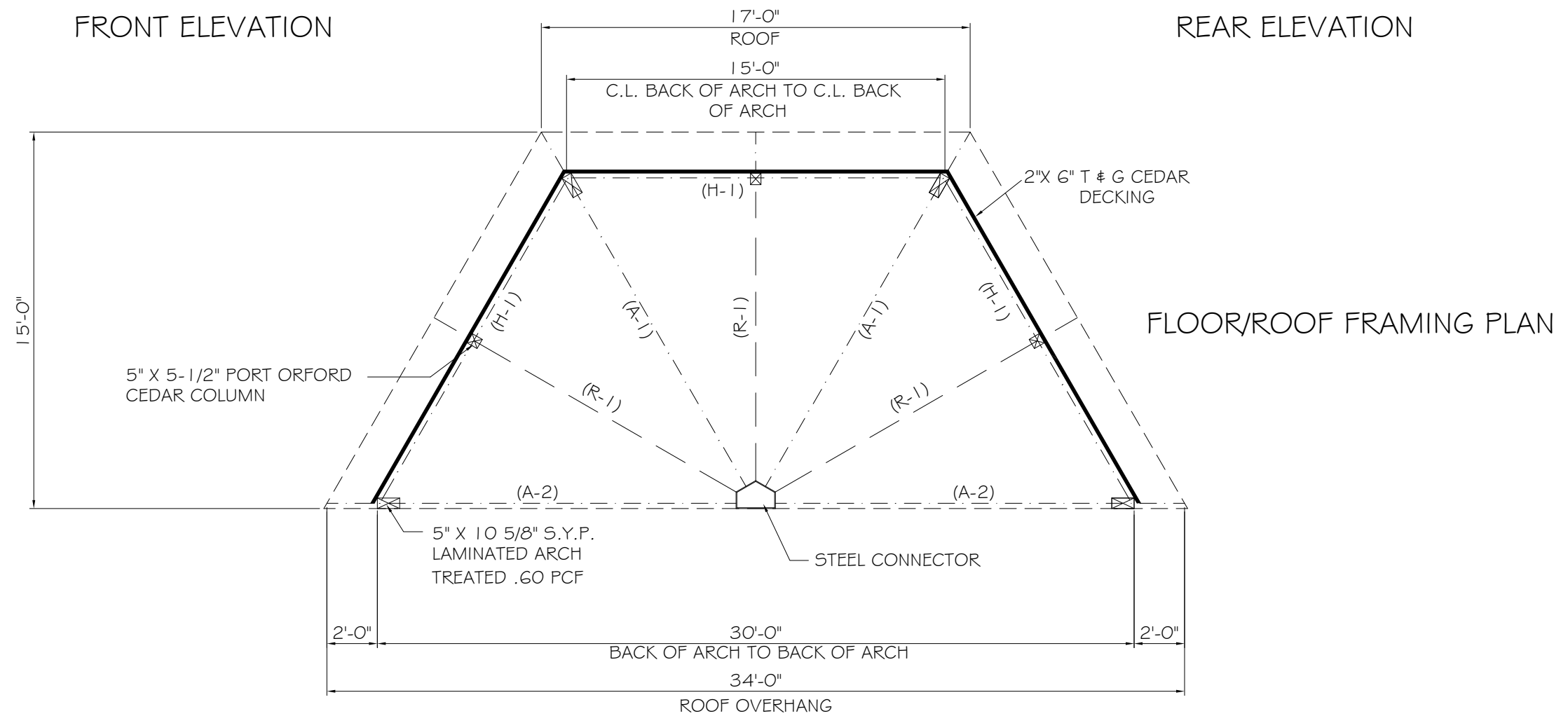
CLASS "A" FIBERGLASS ARCHITECTURAL SHINGLES WITH A 30 YEAR WARRANTY, TO BE INSTALLED PER MANUFACTURER'S INSTRUCTIONS, OVER 30# FELT AND #1 2"X 6" S.Y. PINE T & G DECKING WITH VEE GROOVES ON FINISH FACE



FRONT ELEVATION



REAR ELEVATION



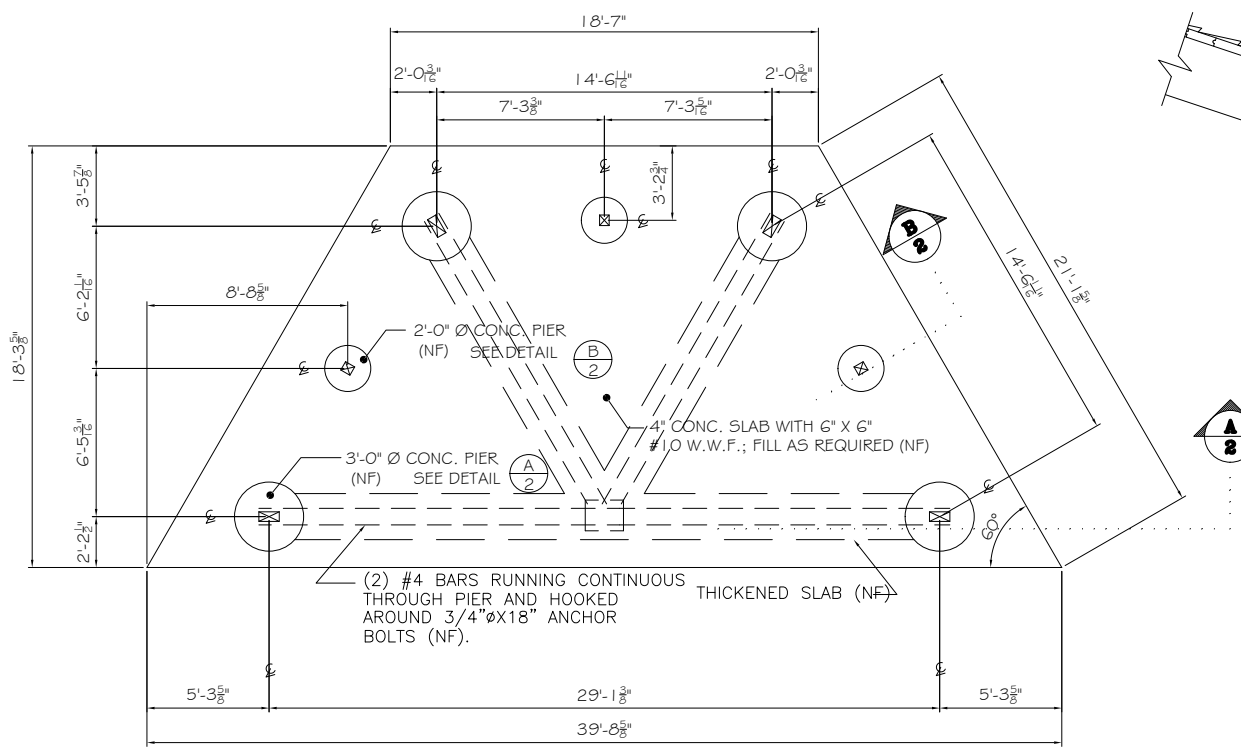
FLOOR/ROOF FRAMING PLAN

PRELIMINARY
NOT FOR CONSTRUCTION

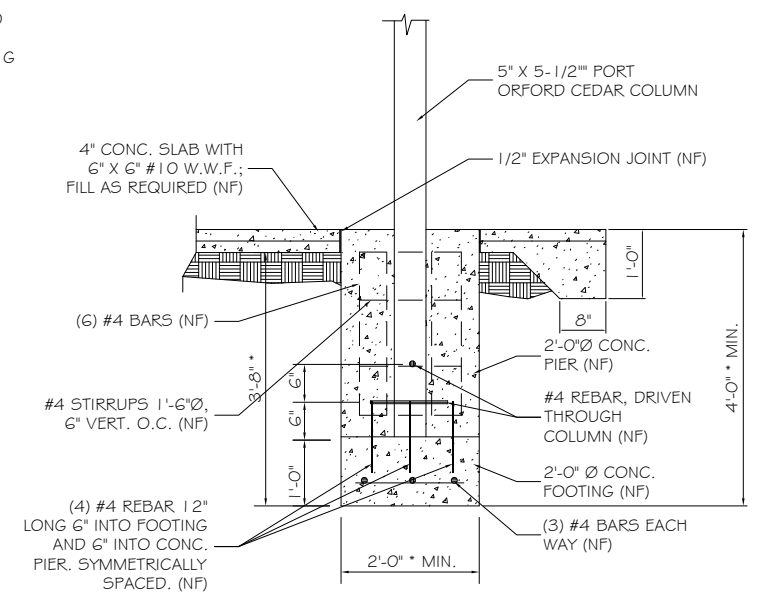
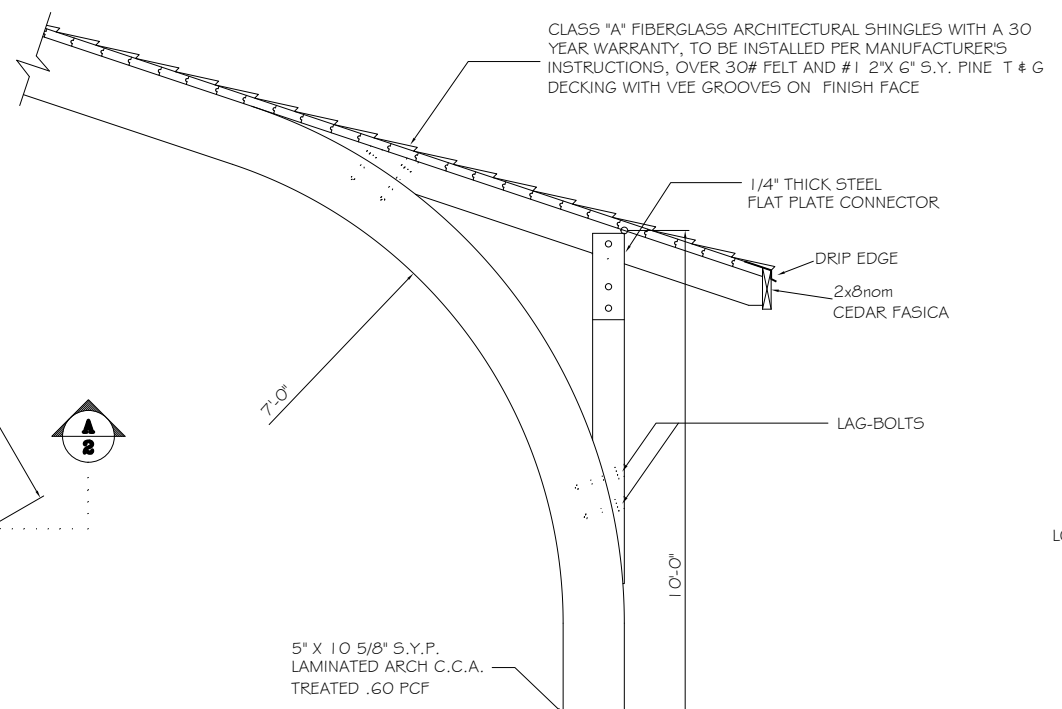
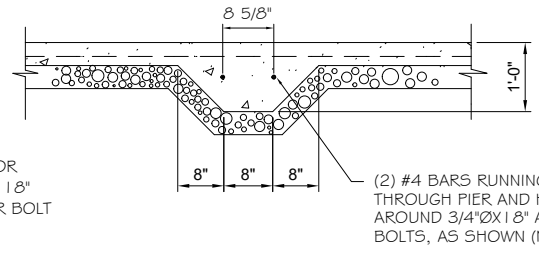
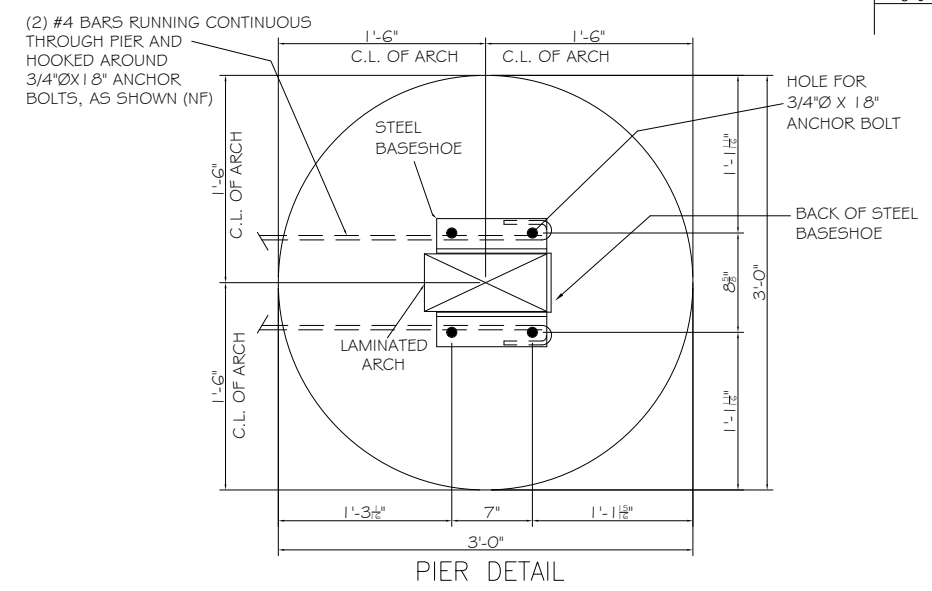
© Copyright 2018 these drawings are the intellectual property of C.F.P. CD. and shall not be copied or disclosed to any unauthorized parties in part or its entirety without our written permission, and they shall not be used for construction unless approved by a C.F.P. Representative.

MODEL NUMBER:	BAND2	SHOWN WITH STANDARD OPTIONS	REVISION DATES	DRAWN BY:	DATE:
DESCRIPTION:	34x15 Band-2 Shelter		REV:	JES-633	12-19-18
Possible Options:	<input type="checkbox"/> 29ga METAL ROOF <input type="checkbox"/> STANDING SEAM ROOF <input type="checkbox"/> CEDAR SHINGLES	<input type="checkbox"/> METAL BASE SHOES <input type="checkbox"/> STEEL COLUMNS <input type="checkbox"/> CUSTOM ROOF PITCH	<input type="checkbox"/> LIGHTNING PROTECTION <input type="checkbox"/> 2 TIER ROOF <input type="checkbox"/> CUPOLA	REV:	SHEET:
			REV:		1 OF 2

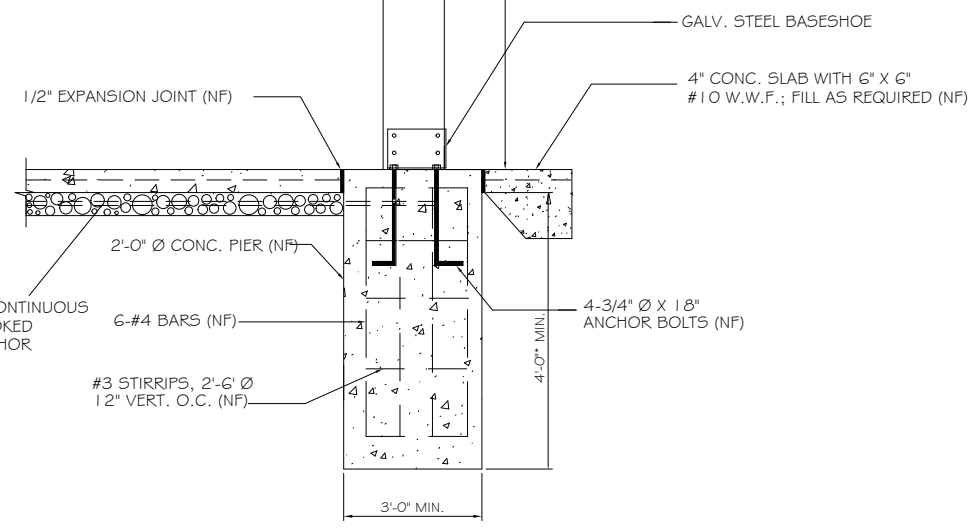
SCALE: NTS



FOUNDATION PLAN SCALE 3/4" = 1'-0"



CROSS SECTION (B) SCALE 3/4" = 1'-0"



CROSS SECTION (A) DIMENSION IS TO MEET LOCAL CODES.