

SPECIFICATIONS:

LOW PITCH BEAMS

MATERIAL AND QUALITY ASSURANCE. Structural glue laminated timber shall be in conformance with AITC Standard (latest edition).
 Species: Laminating lumber shall be kiln-dried, architectural grade, sealed and wrapped. The roof system for wood structures and buildings are designed to withstand 30 PSF live load and 20 PSF wind load. Please check local codes. For heavier load requirements, please consult with Cedar Forest Products Company. The roof slope shall be 3/12.

LAMINATED SUPPORT COLUMNS

MATERIAL AND QUALITY ASSURANCE. Structural glue laminated timber shall be in conformance with AITC (latest edition). Species: Laminating lumber shall be kiln-dried Port Orford Cedar, architectural appearance grade. Laminated columns shall be sized to suit loading requirements. Manufacturers shall furnish connection steel and hardware for joining structural glue laminated timber members to their supports, exclusive of anchorage and embedment in masonry or concrete (anchor bolts are not furnished).

CONNECTOR PLATES

Plates shall be fabricated from structural steel ASTM-A-36. Plates to be Powder Coated Black. Hardware: A-325 zinc plated machine bolts and nuts.

ROOF DECKING

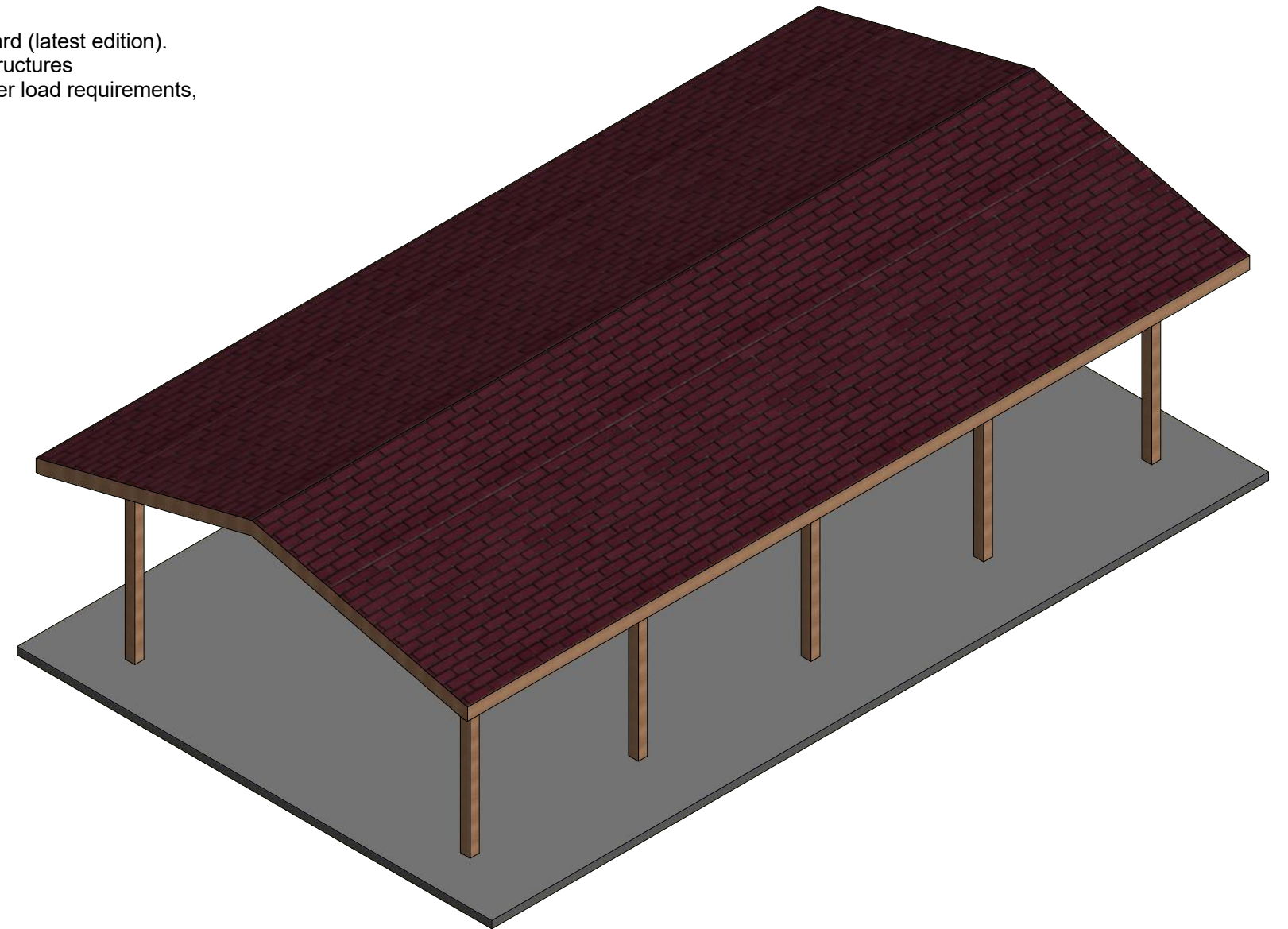
2" x 6" (nominal), #1 grade, single tongue and groove with V-joint on bottom face, kiln dried southern yellow pine, maximum moisture content shall be 19% or less selected for decking. Specified lengths, with all joints over supports.

SHINGLES

Class "A" fire rated, architectural grade, laminated fiberglass shingle with a 30 year limited warranty. To be installed, over 30 lb. felt. Roof application as per manufacturer's specifications. Color to be approved by owner/design professional.

FASCIA

2x8nom Cedar, "D"/ Better Grade, kiln-dried, Surfaced on Four Sides.

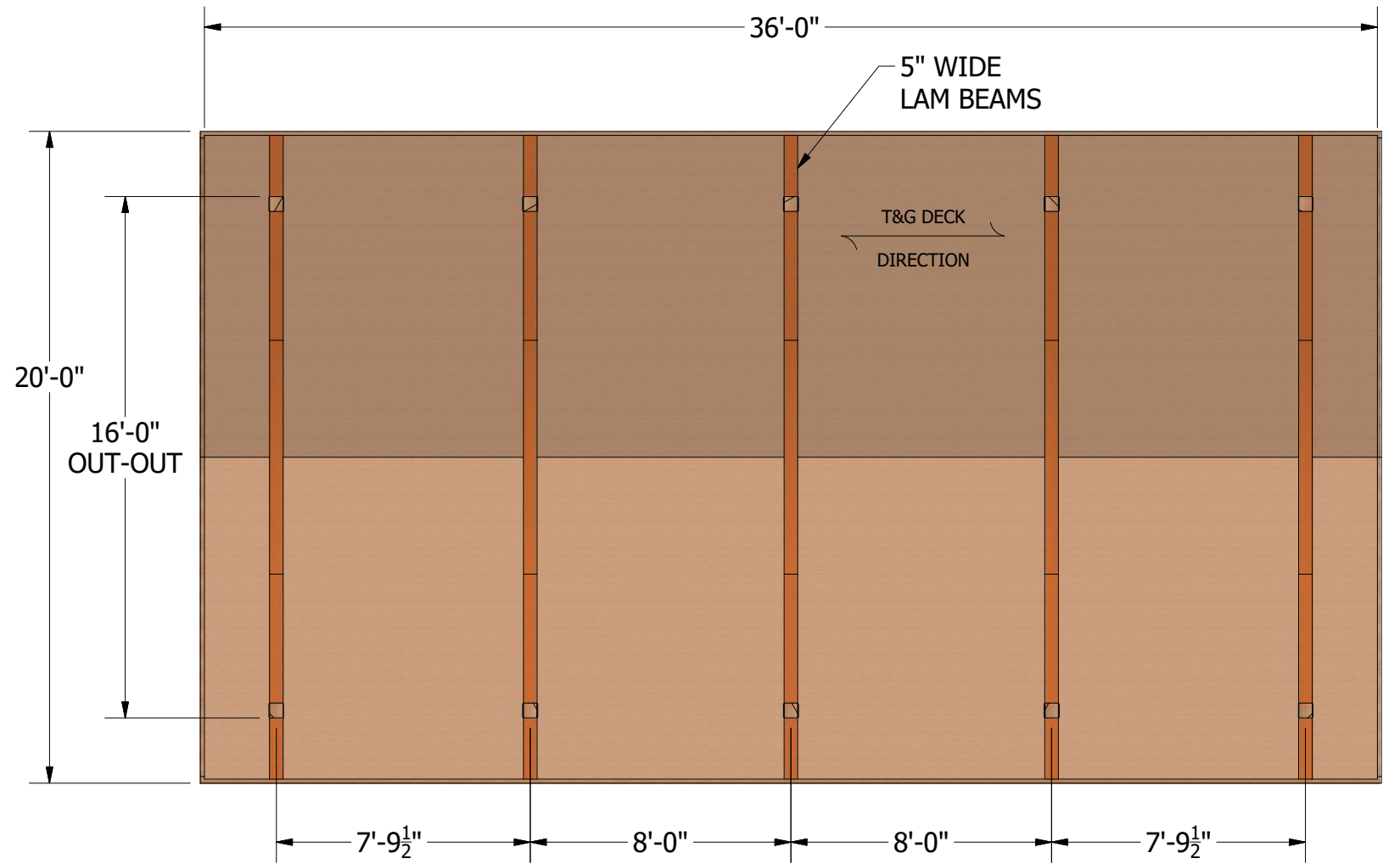
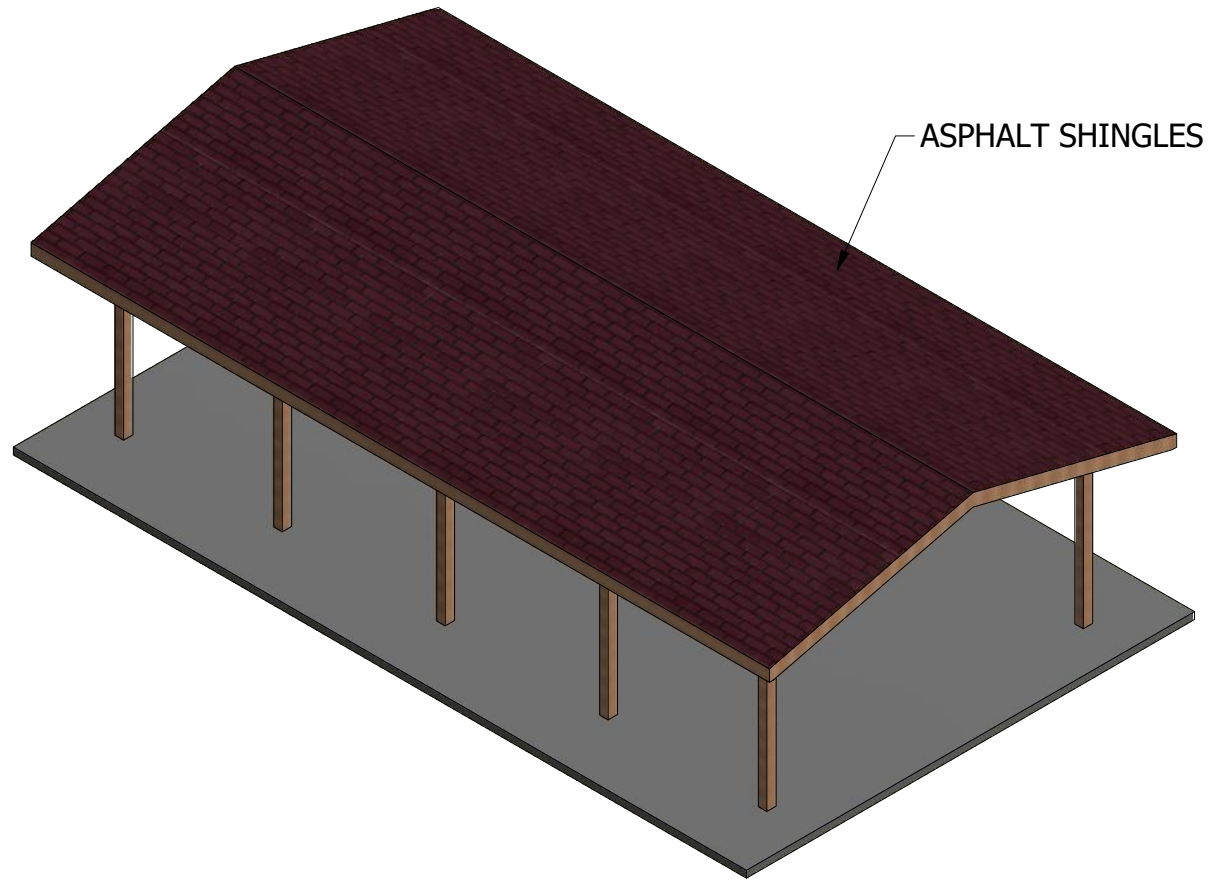


P.O. BOX 145
 WEST OLIVE, MI 49460
 800-552-9495

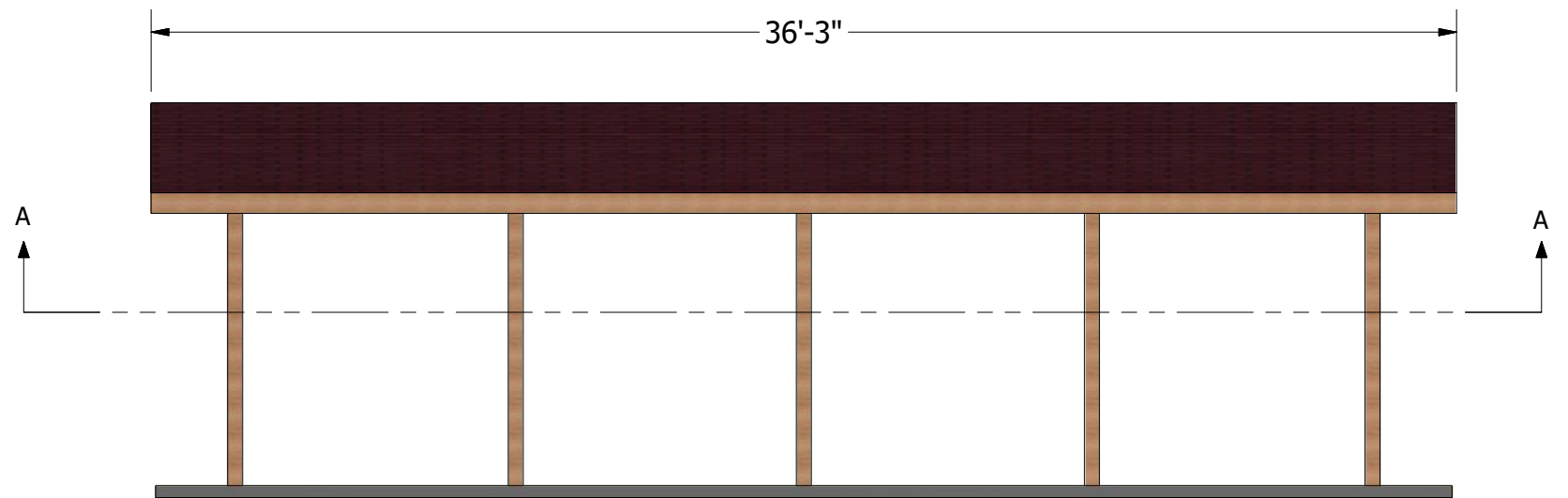
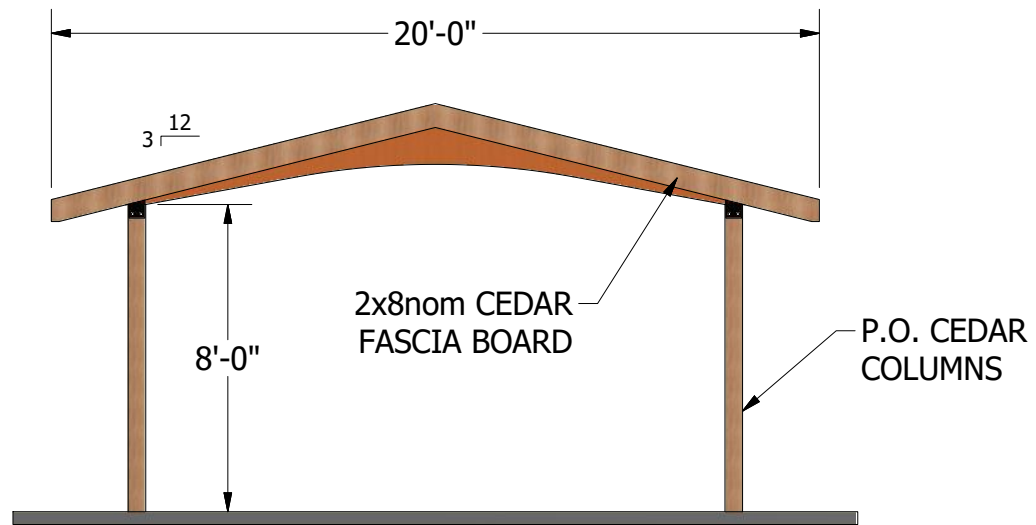
WWW.CEDARFORESTPRODUCTS.COM

PRELIMINARY LAYOUT

DESCRIPTION:	MODEL #:	DATE:	JES DESIGN #:	REV:
20x36 Lam Beam Gable	LB2036	10/23/2018	LB-STNRD	0



SECTION A-A

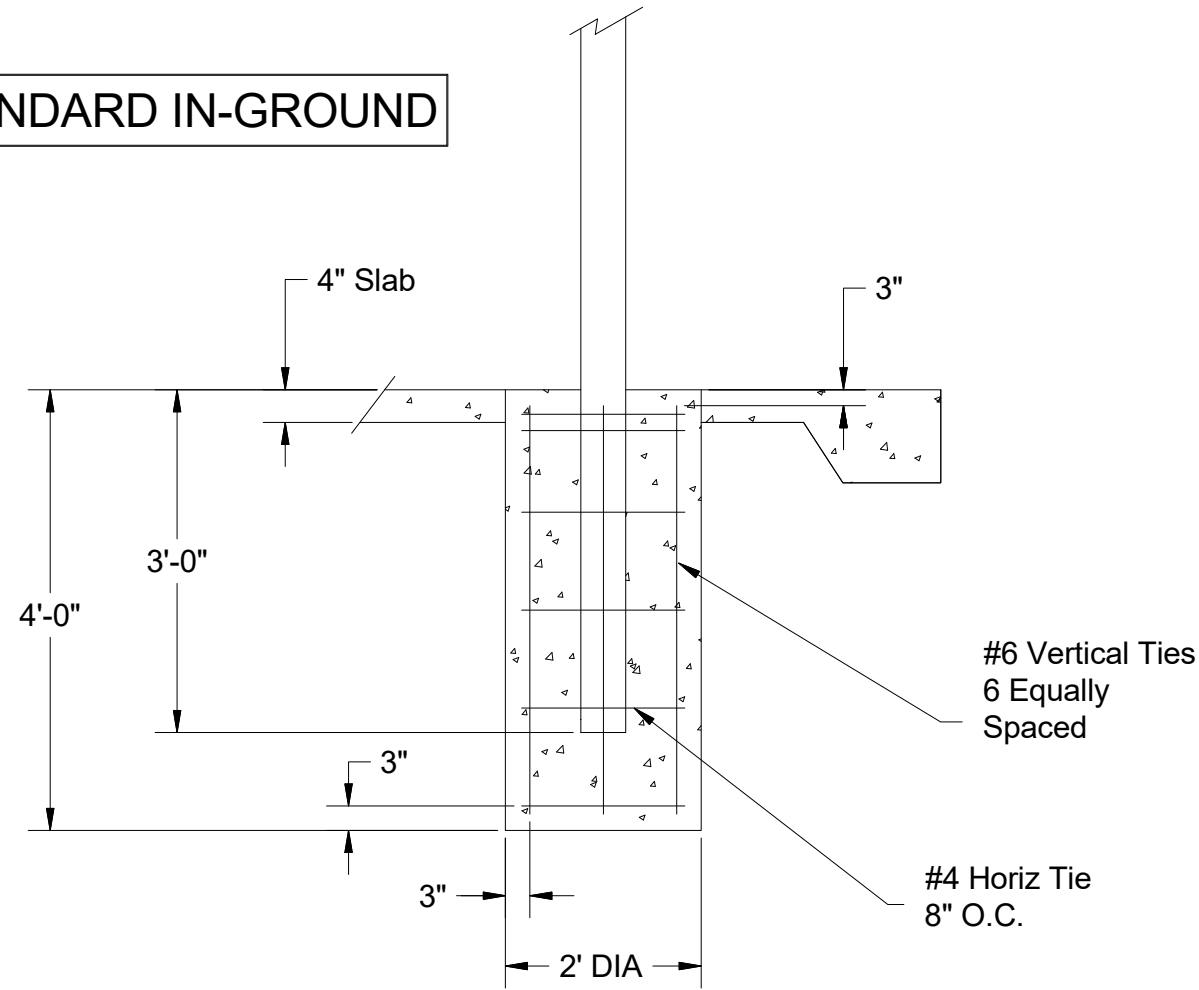


P.O. BOX 145
WEST OLIVE, MI 49460
800-552-9495
WWW.CEDARFORESTPRODUCTS.COM

PRELIMINARY LAYOUT

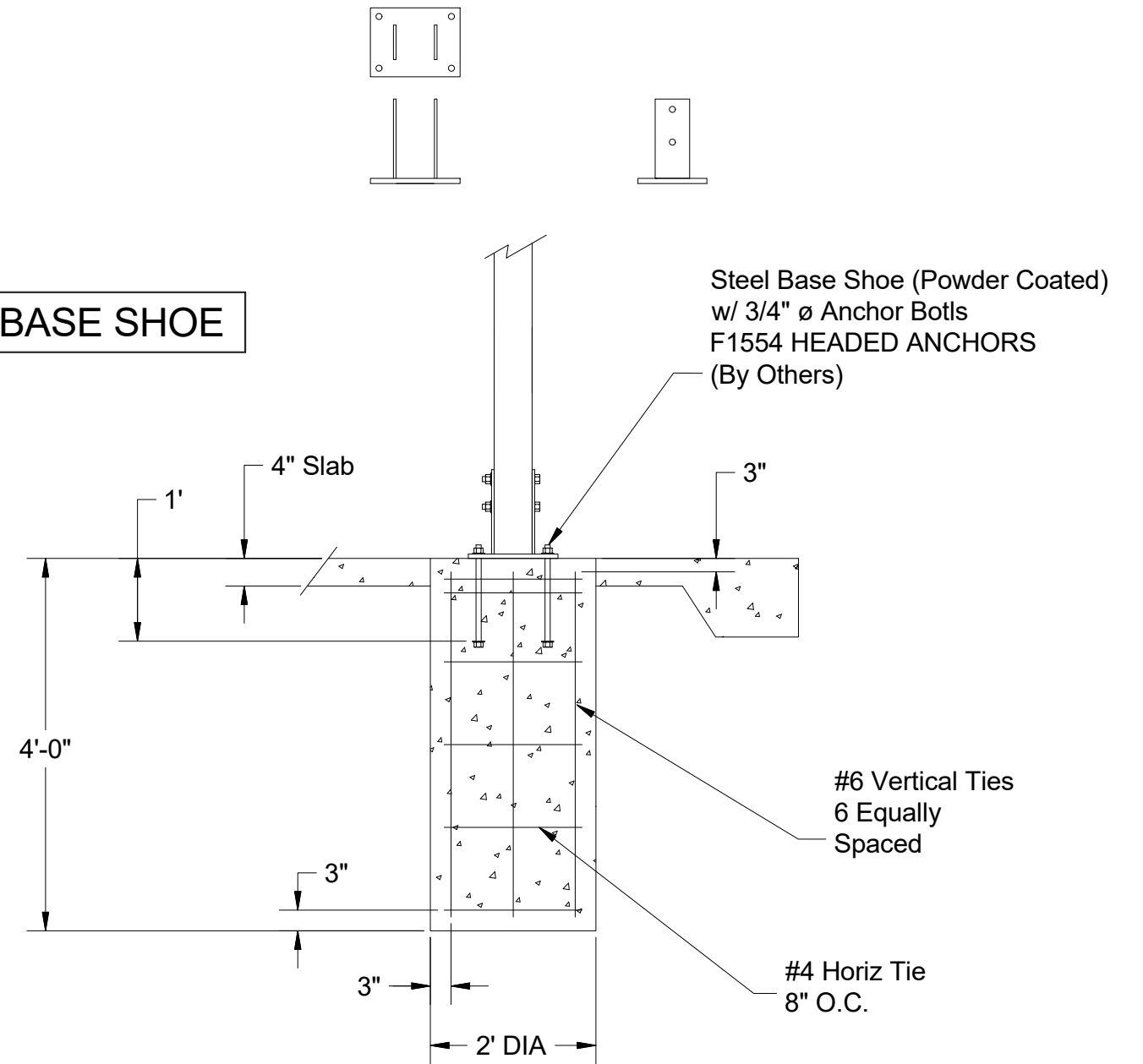
DESCRIPTION:	MODEL #:	DATE:	JES DESIGN #:	REV:
20x36 Lam Beam Gable	LB2036	10/23/2018	LB-STNRD	0

STANDARD IN-GROUND



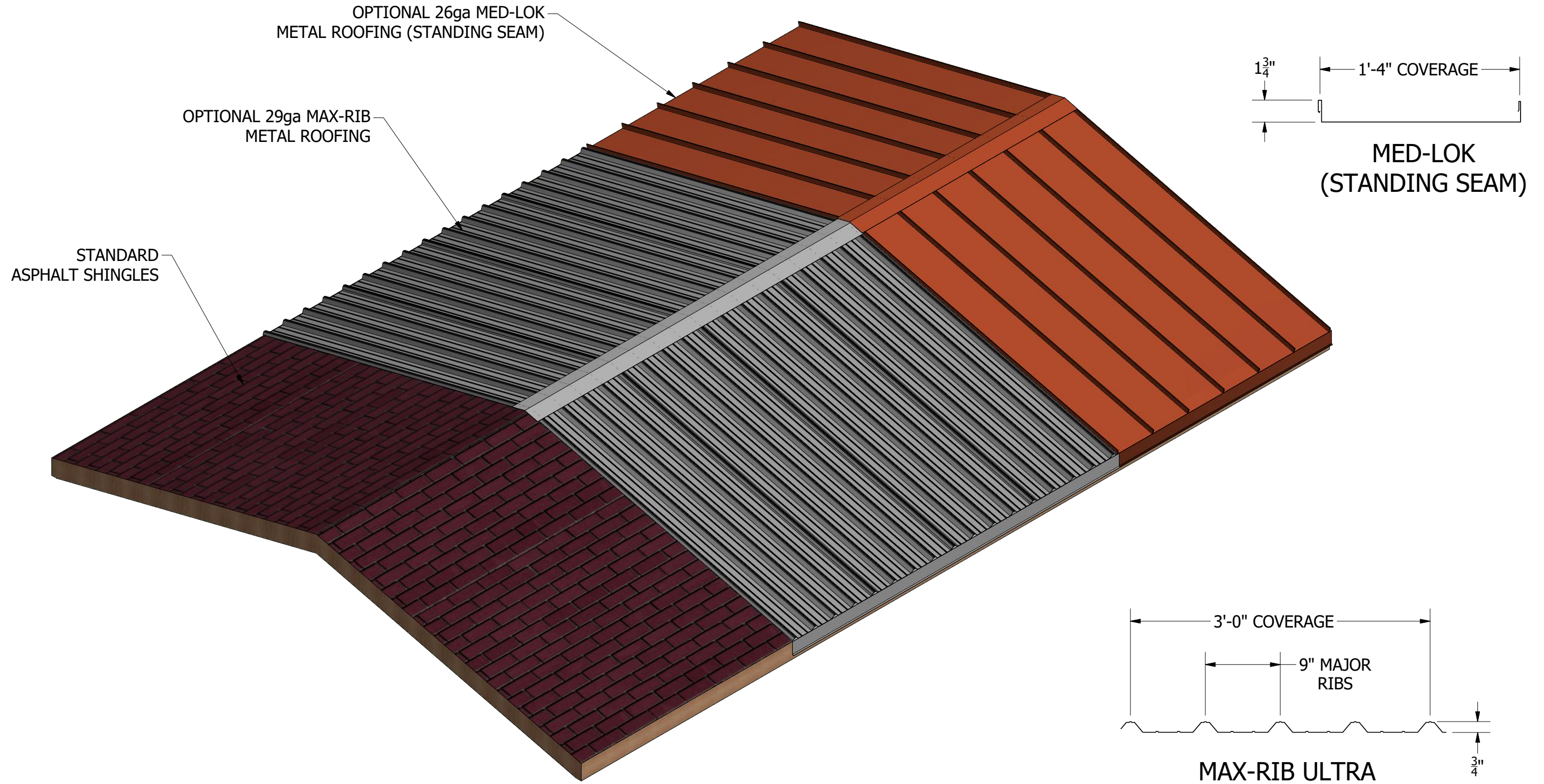
Column/Footing Detail
Final Size TBD
Concrete Pier By Others

OPTIONAL BASE SHOE



Column/Footing Detail
Final Size TBD
Concrete Pier By Others

DESCRIPTION: 20x36 Lam Beam Gable	MODEL #: LB2036	DATE: 10/23/2018	JES DESIGN #: LB-STNRD	REV: 0
--------------------------------------	--------------------	---------------------	---------------------------	-----------



PRELIMINARY LAYOUT

DESCRIPTION: 20x36 Lam Beam Gable	MODEL #: LB2036	DATE: 10/23/2018	JES DESIGN #: LB-STNRD	REV: 0
--------------------------------------	--------------------	---------------------	---------------------------	-----------